



**BONN HUNGARY
ELECTRONICS**

**900 MHz GSM
BANDSELECTIVE
PICO-REPEATER**

**BRPS
Family
NDS # 900**

an ISO 9001 Certified Company

- **HIGH SENSITIVITY**
- **HIGH DYNAMIC RANGE**
- **COMPACT SIZE**



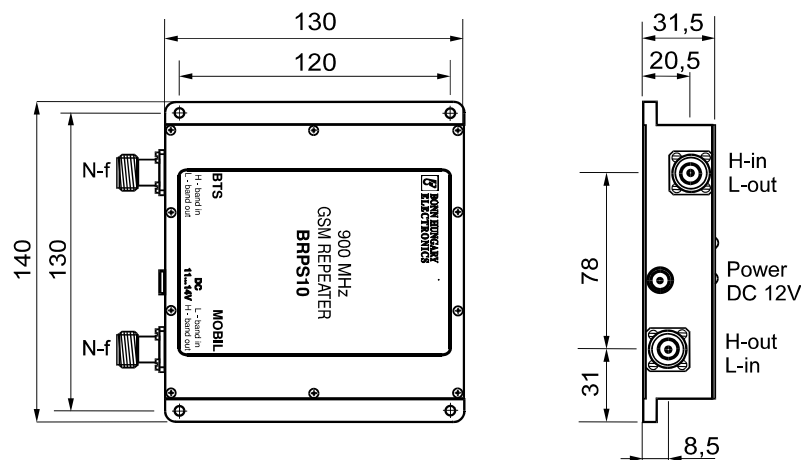
This pico-repeater is intended for use in 900 MHz indoor GSM systems. It is a very compact and lightweight unit and it is especially advantageous to use it inside the buildings, rooms, tunnels where the field strength is weak. It is a cost effective solution to cover areas, which cannot be covered economically with base stations. It can be installed easily. Status information such as overload, over-temperature, supply voltage failure, PLL unlock is indicated by red and green LED-s.

ELECTRICAL CHARACTERISTICS :

Frequency Band Uplink	890 – 915 MHz
Frequency Band Downlink	935 – 960 MHz
Frequency Bandwidth (Up/Downlink)	6 – 25 MHz (*)
Mode of Operation	band selective duplex
Linear Output Power	+ 10 dBm @ < - 36 dBm IM products
ICP3	> + 29 dBm
Nominal Gain	60 dB
Gain Ripple	± 2 dB typical ± 3 dB max.
Gain Setting	60 to 30 dB in 2 dB steps
Input Noise Figure	6 dB typ.
Harmonics	According to the ETSI regulation < - 36 dBm
Spurious Radiation	According to the ETSI regulation < - 36 dBm
Local Leakage	According to the ETSI regulation < - 36 dBm
RF Connectors	N – female
Supply Voltage	12 V with external power supply
Power Consumption	10 VA
Weight	0.8 kg
Operating temperature range	+ 15 to + 55 °C
Application	Indoor

(*) Centre frequency and bandwidth can be specified in the whole GSM band.
Specifications are subject to change without notice.

OUTLINE DIMENSION (mm):



BONN Elektronik
RF Systems, Instruments and Components



Rudolf-Diesel-Str.18 · D-85521 Ottobrunn · Tel +49 (0)89/608 754-0 · Fax +49 (0)89/608 754-99
email: info@bonn-elektronik.com · home: www.bonn-elektronik.com