



**BONN HUNGARY  
ELECTRONICS**

**EGSM / DCS / UMTS BAND  
HIGH POWER  
TRIPLEXER**

**BFTP11**  
NDS # 859

an ISO 9001 Certified Company



- **IDEAL FOR THE EGSM / DCS / UMTS SYSTEMS**
- **COMPACT SIZE**
- **WEATHER-PROOF HOUSING**

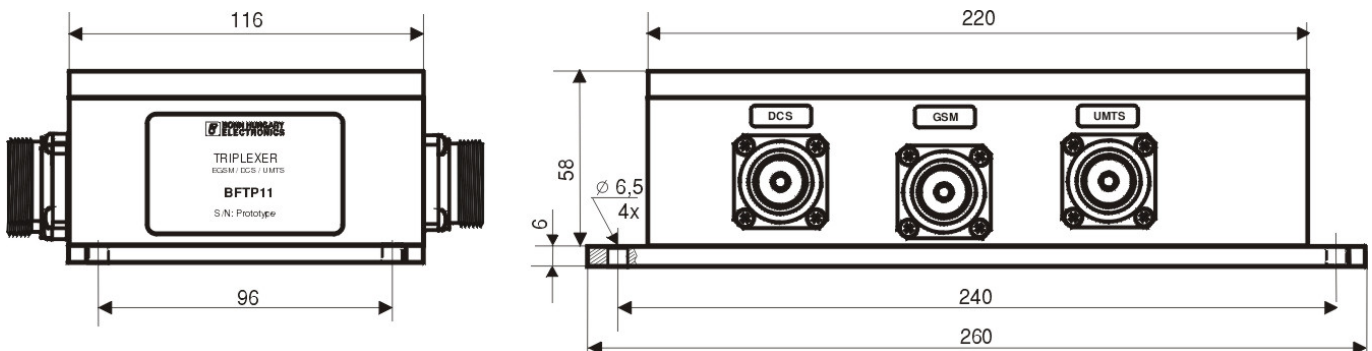
This in-band triplexer is a high quality, high power device which can be used effectively as triplexer in GSM base stations and similar applications. The low insertion loss, good reflection and the robust mechanical construction guarantee long term trouble free operation.

**ELECTRICAL CHARACTERISTICS :**

Frequency Range	880 to 960 MHz	1710 to 1880 MHz	1920 to 2170 MHz
Insertion Loss	0.15 dB typ, 0.2 dB max.	0.2 dB typ, 0.3 dB max.	0.2 dB typ, 0.3 dB max.
Return Loss	20 dB typ. 18dB min.	20 dB typ. 18dB min.	20 dB typ. 18dB min.
Isolation	60 dB @ DCS	60 dB @ EGSM	60 dB @ EGSM
	60 dB @ UMTS	50 dB typ. 45dB min. @ UMTS	50 dB typ. 45 dB min. @ DCS
Max. Input Power	100W		
RF Connectors	7/16 female		

Specifications are subject to change without notice.

**OUTLINE DIMENSIONS (mm):**



**BONN Elektronik**  
RF Systems, Instruments and Components



Rudolf-Diesel-Str.18 · D-85521 Ottobrunn · Tel +49 (0)89/608 754-0 · Fax +49 (0)89/608 754-99  
email: [info@bonn-elektronik.com](mailto:info@bonn-elektronik.com) · home: [www.bonn-elektronik.com](http://www.bonn-elektronik.com)