



**BONN HUNGARY
ELECTRONICS**

**GSM / DCS / UMTS MHz
HIGH POWER
TRIPLEXER**

BFDP16
NDS # 856

PRELIMINARY

an ISO 9001 Certified Company



- **IDEAL FOR THE GSM / DCS / UMTS SYSTEMS**
- **COMPACT SIZE**
- **WEATHER-PROOF HOUSING**

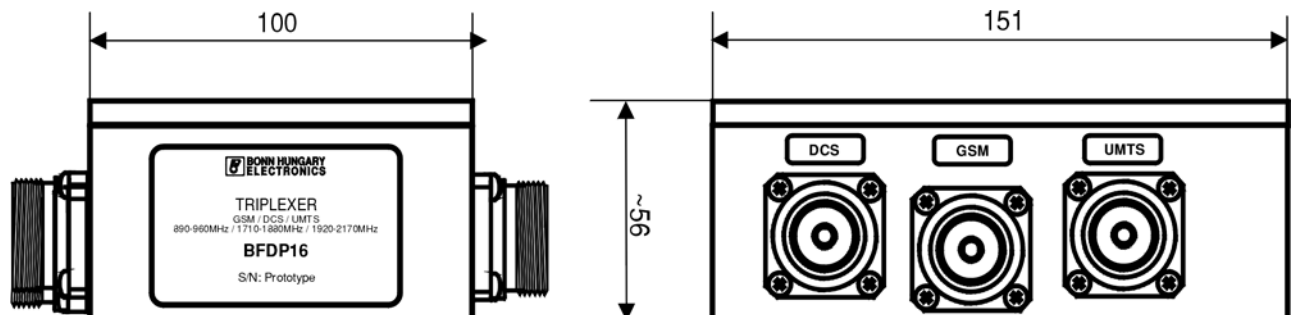
This in-band triplexer is a high quality, high power device which can be used effectively as diplexer in GSM base stations and similar applications. The low insertion loss, good reflection and the robust mechanical construction guarantee long term trouble free operation.

ELECTRICAL CHARACTERISTICS :

Frequency Range	890 to 960 MHz	1710 to 1880 MHz	1920 to 2170 MHz
Insertion Loss	0.1dB typ, 0.2 dB max.	0.2 dB typ, 0.3 dB max.	0.2 dB typ, 0.3 dB max.
Return Loss	20 dB typ. 18dB min.	20 dB typ. 18dB min.	20 dB typ. 18dB min.
Isolation	60 dB	40 dB	60 dB
Isolation (min.)	50 dB	35 dB	50 dB
Max. Input Power	100W		
RF Connectors	7/16 female		

Specifications are subject to change without notice.

OUTLINE DIMENSIONS (mm):



BONN Elektronik 
RF Systems, Instruments and Components

Rudolf-Diesel-Str.18 · D-85521 Ottobrunn · Tel +49 (0)89/608 754-0 · Fax +49 (0)89/608 754-99
email: info@bonn-elektronik.com · home: www.bonn-elektronik.com